

HYDRAWAY® WATERPROOFING SYSTEM

HP33/HP50 Sump Pump

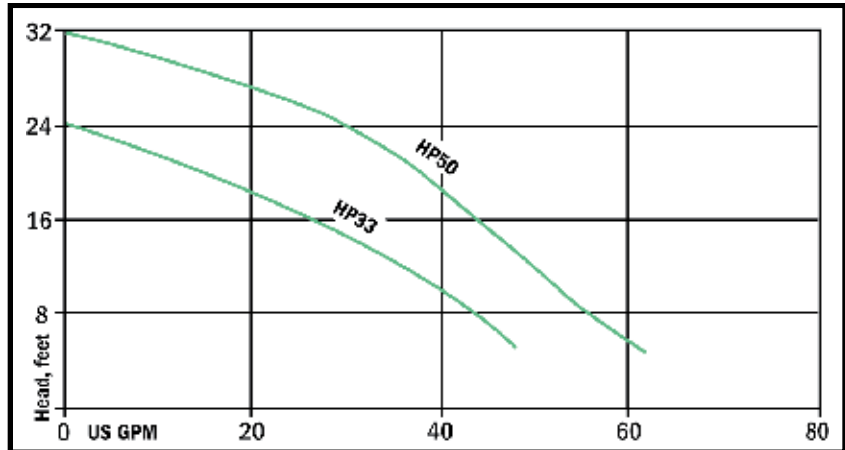
Featuring a vortex impeller that provides solids-handling capability up to 1/2". Available in 1/3 HP, 115 volt single phase, 60 Hz and 1/2 HP, 115 volt single phase, 60 Hz. Pump discharge is 1 1/2" NPT. 2-pole float switch for minimum 10" diameter sumps.



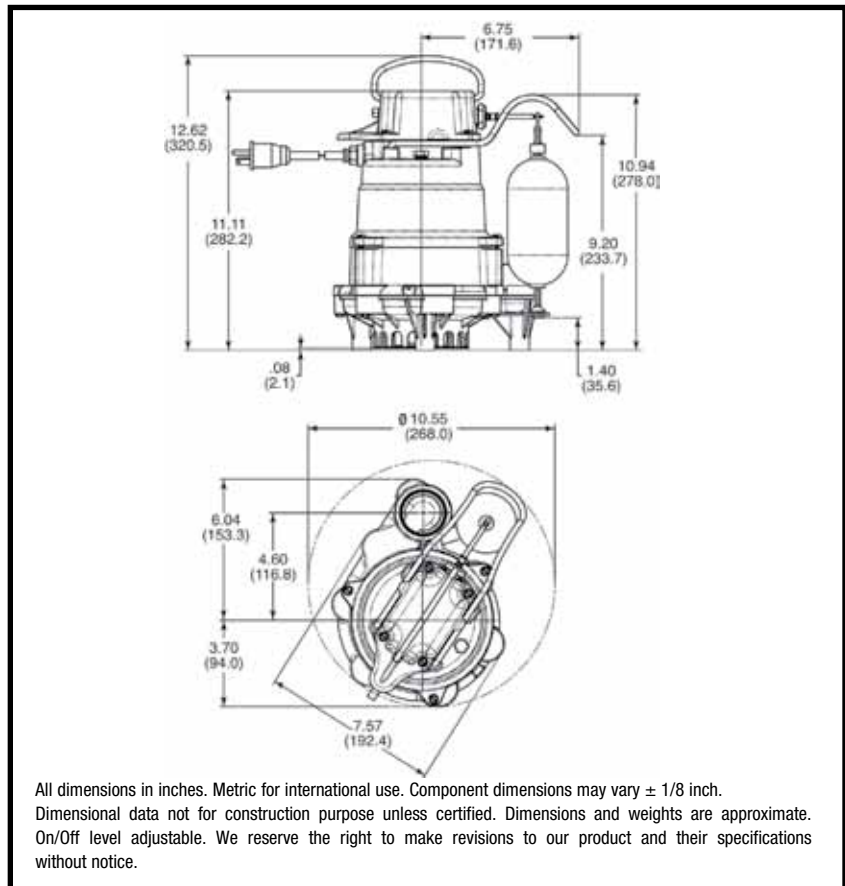
Pump Characteristics

| Pump/Motor Unit | Submersible | |
|-----------------------------------|--|--|
| Models | HP33 | HP50 |
| Motor | 1/3 HP, shaded pole with thermal overload protection, 1550 RPM | 1/2 HP, shaded pole with thermal overload protection, 1550 RPM |
| Electrical | 115V, 1ø, 9.8A, 60 Hz | 115V, 1ø, 12A, 60 Hz |
| Capacities | 48 gpm (182 lpm) | 62 gpm (235 lpm) |
| Heads | 24' (7.3 m) | 32' (9.8 m) |
| Approx. Weight | 24 lbs. | 26 lbs. |
| Operation | Automatic On: 9" (229 mm) Off: 4" (102 mm) | |
| Acceptable pH Range | 6-9 | |
| Liquids Handling | Drainage Effluent | |
| Continuous Liquid Temperature | 130°F (54°C) | |
| Minimum Recommended Sump Diameter | 10" (25.4 cm) | |
| Discharge Size | 1-1/2" NPT (38.1 mm) | |
| Solids Handling | 1/2" (12.7 mm) | |
| Power Cord | 10' or 20', 16/3, SJTW-A, SJTW | |

Performance Data



Dimensional Data



Materials of Construction

| | |
|----------------------|---|
| Handle | Stainless Steel |
| Lubricating Oil | Dielectric Oil |
| Motor Housing/Volute | Heavy Cast Iron |
| Volute Base | Fiberglass Reinforced Polypropylene |
| Shaft | Stainless Steel |
| Shaft Seal | Carbon and Ceramic |
| Impeller | Fiberglass-reinforced Noryl® with Threaded Brass Insert |
| Exterior Hardware | Stainless Steel |
| Lower Bearing | Ball Bearing |
| Fasteners | Stainless Steel |



Battery Back-Up System Model RH1400

Materials:

- Pump: 12V DC mounted to bracket
- Charger: High performance finish charger
- Float Switch: Vertical type with clamp
- Battery & Box: 12-Volt Deep Cycle Marine Battery size 27 (FVP Volt Edge, Model Number FVPDC27-6 inside a High impact plastic
- Foot Valve: With suction screen
- Alarm: High water warning
- Stainless steel bracket and hardware

Pumping Rates (average gallons per hour):

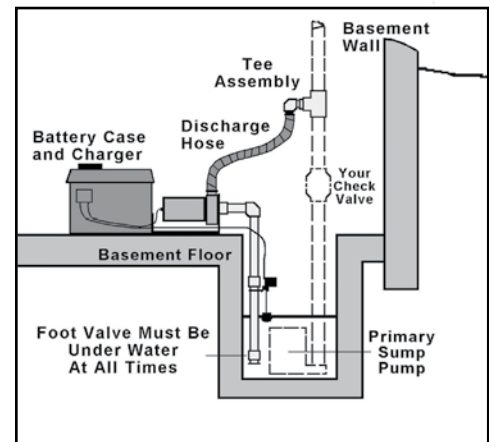
- 1400 GPH @ 9' discharge lift
- 1800 GPH @ 5' discharge lift

Features & Advantages

- Vertical type switch for compact design
- All premium, high quality, corrosion resistant materials. Only the suction pipe and float are in the sump pit
- Sump water is removed to the bottom of the sump pit for complete pumping
- Pump, charger, float and battery case packaged as a single unit
- Fast, easy, modular installation with no interference problems in the pit
- Water alarm alerts homeowners that the Hydropump is operating



MODEL RH1400
Ideal For Small or
Narrow Sump Pits



Requires only 6" of pit area

Basin only

B2200



18" x 22" Poly Basin

Exceptionally high impact-resistant with a variety of cover options. [22 U.S. Gallon Capacity]

2 1/2" Single Hole Poly Cover +

C18WPE



Celebrating 30 years of Healing Homes.

Helitech Waterproofing & Foundation Repair | helitechonline.com | 800-246-9721

